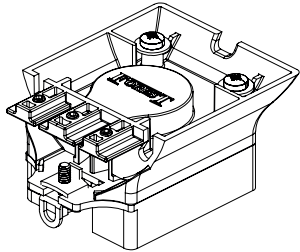
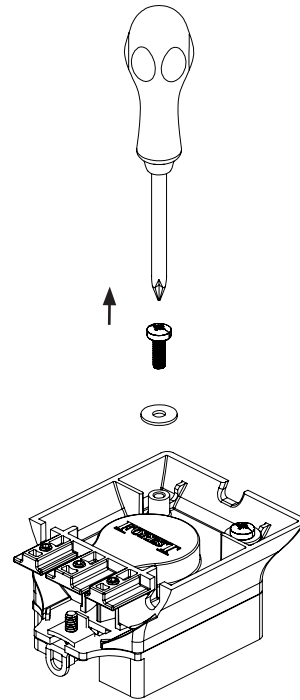


ASSEMBLY *DS-XL LED Metal Motor Pulley*

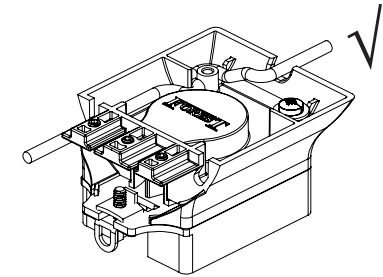
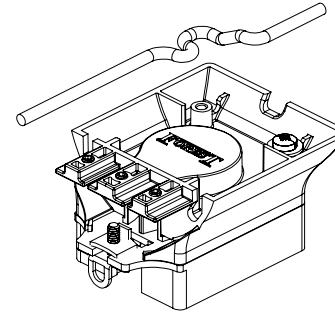
1. Follow the assembly instructions for the metal motor pulley only when integrating the track system with LED lighting.



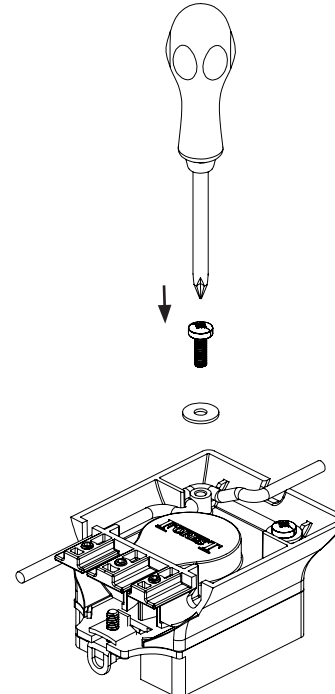
2. Remove screw



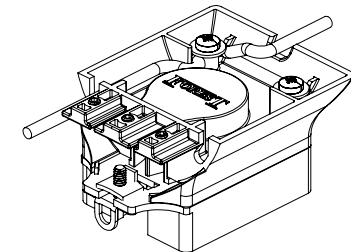
3. Insert the cable



4. Fix the screw

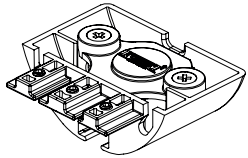


5. Continue assembling the track system

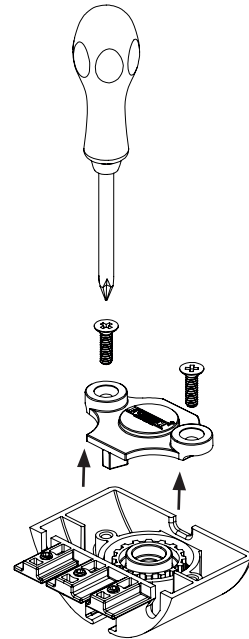


ASSEMBLY *DS-XL LED Metal Return Pulley*

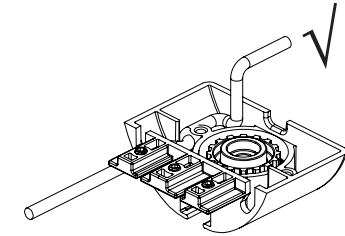
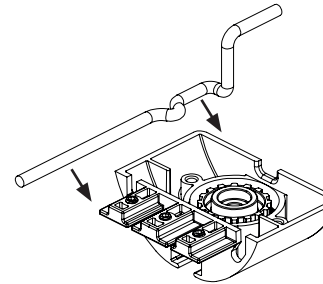
1. Follow the assembly instructions for the metal return pulley only when integrating the track system with LED lighting.



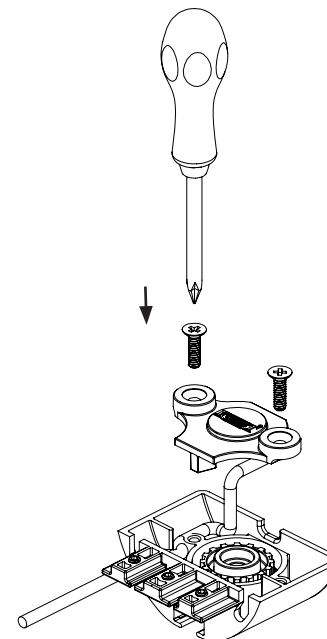
2. Remove screws and cover



3. Insert the cable



4. Place cover and fix the screws



5. Continue assembling the track system

